

# Quick Installation Guide

## Indoor/Outdoor Access Point

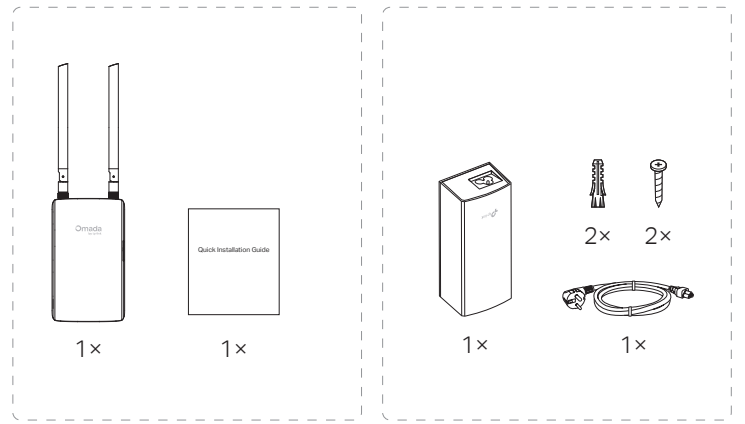


Scan for  
EAP Start Guide

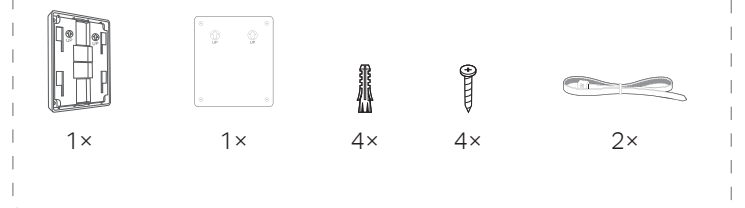
Note: EAP603-Outdoor is used as an example throughout the guide. Images may differ from your actual product.

©2025 TP-Link 7106500052 REV1.0.0

### Package Contents



### Mounting Kit



## Installation

### Option 1: Pole Mounting

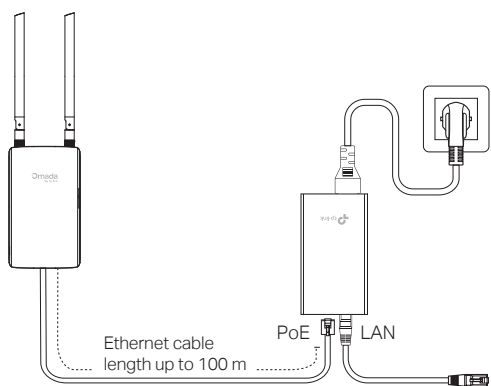
1. Attach the mounting bracket to the pole using the provided straps.
2. Mount the mounting bracket to the pole.
3. Attach the Access Point to the mounting bracket.
4. Connect the Access Point to the power source.

### Option 2: Wall Mounting

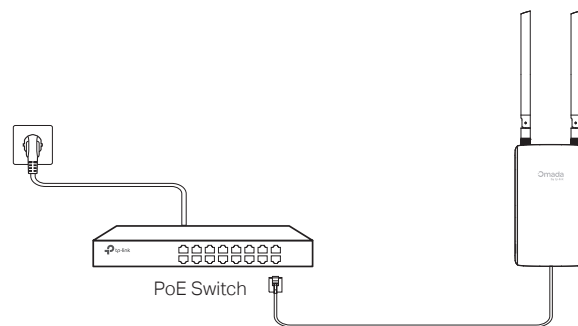
1. Drill a hole in the wall with a diameter of  $\Phi 7.6 \text{ mm}$  (19/64 in).
2. Mount the mounting bracket to the wall using the provided screws and spacers.
3. Attach the Access Point to the mounting bracket.
4. Connect the Access Point to the power source.

## Power On

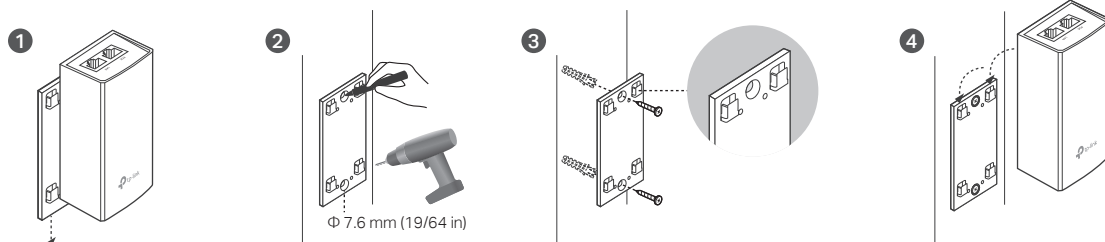
### Option 1: Via Passive PoE Adapter



### Option 2: Via PoE Switch



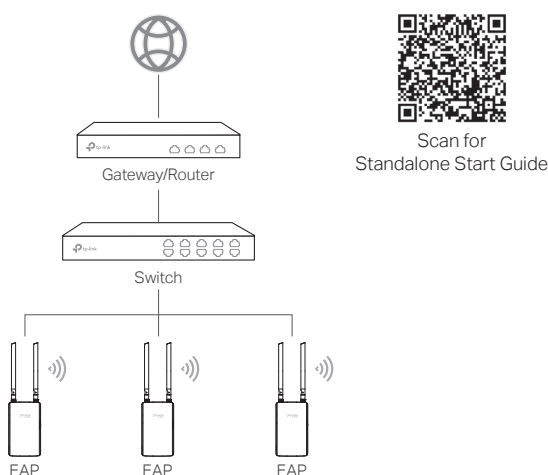
### (Optional) Mount the PoE Adapter



## Configuration

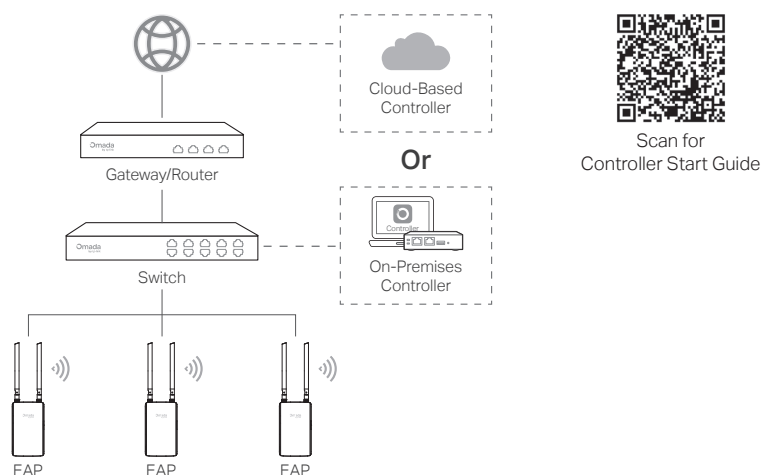
### Option 1: Standalone Mode

Configure and manage each EAP on its standalone page.



### Option 2: Controller Mode

Configure and manage EAPs (and other Omada devices) centrally on an Omada Controller.



### Omada App

With the TP-Link Omada app, you can access and manage your Omada devices at a local site or remotely with a tap of your phone.



### More Configurations

For more configurations, refer to the User Guides of the Omada Controller and Omada Access Points at: <https://support.omadanetworks.com/document/>



### Safety Information

- Keep the device away from fire or hot environments. DO NOT immerse in water or any other liquid.
- Do not attempt to disassemble, repair, or modify the device. If you need service, please contact us.
- Do not use the device where wireless devices are not allowed.
- Do not use any other chargers than those recommended.
- Do not use a damaged charger or USB cable to charge the device.
- The adapter shall be installed near the equipment and shall be easily accessible.
- The adapter should be used indoors where the ambient temperature is lower than or equal to 40 C.
- Plug the adapter into a wall outlet with an earthing connection through the power supply cord.
- The socket-outlet shall be installed near the equipment and shall be easily accessible.
- Plug the product into the wall outlets with earthing connection through the power supply cord
- Use only power supplies which are provided by manufacturer and in the original packing of this product. If you have any questions, please don't hesitate to contact us.
- This EAP can be powered only by the passive PoE adapter or equipment that complies with Power Source Class 2 (PS2) or Limited Power Source (LPS) defined in the standard of IEC 62368-1.

TP-Link hereby declares that the device is in compliance with the essential requirements and other relevant provisions of directives 2014/53/EU, 2009/125/EC, 2011/65/EU, and (EU)2015/863. The original EU Declaration of Conformity may be found at <https://www.tp-link.com/en/support/ce/>.

TP-Link hereby declares that the device is in compliance with the essential requirements and other relevant provisions of the Radio Equipment Regulations 2017. The original UK Declaration of Conformity may be found at <https://www.tp-link.com/support/ukca/>

**Attention:** In EU member states, EFTA countries and Northern Ireland, the operation in the frequency range 5150MHz-5350MHz is only permitted indoors.

**Attention:** In Great Britain, the operation in the frequency range 5150MHz - 5350MHz is only permitted indoors.

For the EAP Controller, go to the **Devices** page and select the desired EAP to specify the channel.

For the web browser, go to **Wireless > Wireless Settings** to specify the channel.

!	AT	BE	BG	CH	CY	CZ	DE	DK	!	UK
	EE	EL	ES	FI	FR	HR	HU	IE		
	IS	IT	LI	LT	LU	LV	MT	NL		
	NO	PL	PT	RO	SE	SI	SK	UK(NI)		

## More Resources

Main Site	<a href="https://www.omadanetworks.com">https://www.omadanetworks.com</a>
Video Center	<a href="https://support.omadanetworks.com/video">https://support.omadanetworks.com/video</a>
Documents	<a href="https://support.omadanetworks.com/document">https://support.omadanetworks.com/document</a>
Product Support	<a href="https://support.omadanetworks.com/product">https://support.omadanetworks.com/product</a>
Technical Support	<a href="https://support.omadanetworks.com/contact-support">https://support.omadanetworks.com/contact-support</a>

## Warranty

For details on the warranty period, policy, and procedures, visit <https://support.omadanetworks.com/warranty-services>.

## Support

For technical support, user guides, and other information, please visit <https://support.omadanetworks.com>, or simply scan the QR code.

