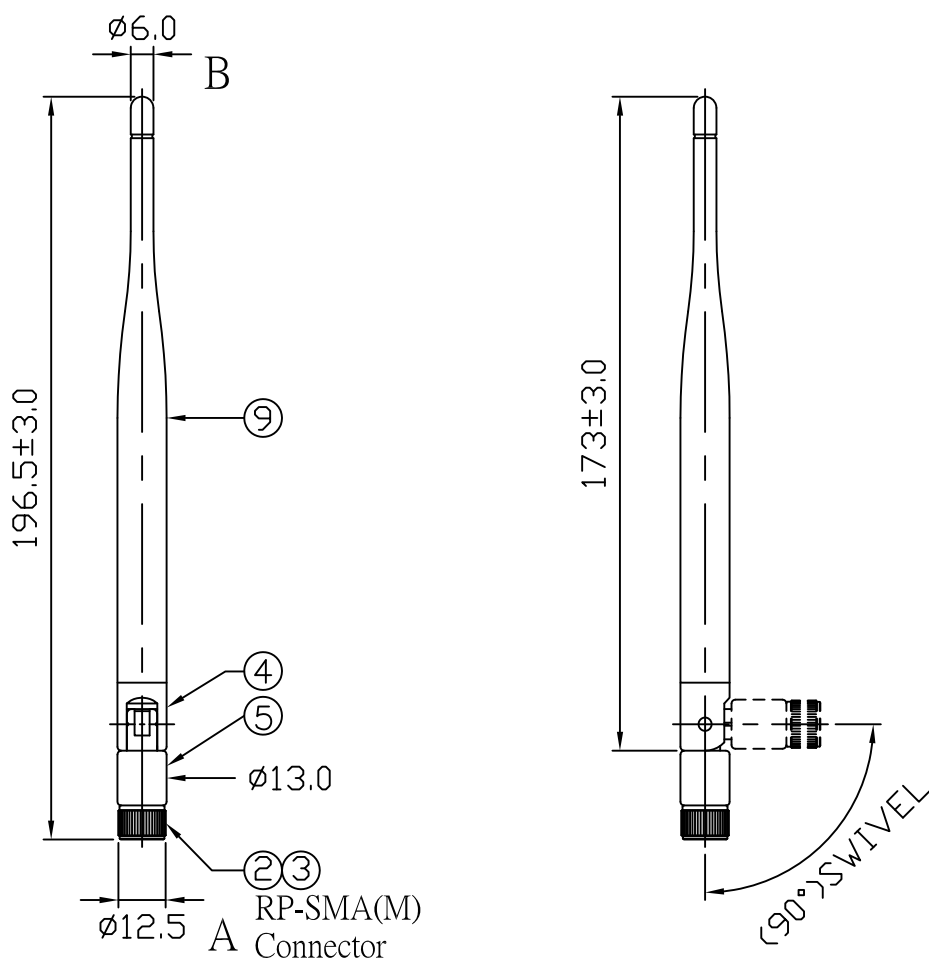


TOLERANCES:	
X	±0.5
X.X	±0.3
X.XX	±0.1
ANGULAR	±5.0°

Signature
/ Stamp

Customer Approved
 Unofficial Drawing

機構 (技術分類) :
應用 (業務分類) :
材質 (生管分類) :



9	Housing	13 φ *L155 Housing	Black		1
8	Heat Shrink Tube	Heat Shrink Tube 5.0 L=20mm	Black		1
7	Sleeve	5.2 φ *24L*0.2T Sleeve	silver		2
6	Rivet	028922001-6 4.80*1.95 φ Rivet	Black		2
5	Hinge-Base	13 φ Hinge-Base * 25.5L	Black		1
4	Hinge-Holder	13 φ Hinge-Holder * 28L	Black		1
3	RP-SMA φ 12.5 Shaft	0249A-B Connector RP-SMA(M) φ 12.5	silver		1
2	RP-SMA φ 12.5 Body	0249A-A Body RP-SMA(M) φ 12.5 Connector	Black		1
1	RG-178 Coaxial Cable	RG-178 CABLE 105SV	Black	95	1
NO	Material	Description	Color	Dim	Qt'y

3rd VIEW		圖面不用實測			PART NUMBER	antsmadb		
UNIT : mm	DRAWING	CHECK	CONFIRM	APPROVED	PART NAME	WSS007 Dual Band Dipole Antenna with RP-SMA(M)(Black)		
SCALE : FREE	Mandy	Neil	L.Y.L	Bibben	CATEGORY	<input checked="" type="checkbox"/> A: Product <input type="checkbox"/> B: Semi-Production <input type="checkbox"/> C: Sample		
Edit Date: 2015/03/25					Engineering NO.	S8W1568A	VERSION	1
Revise Date: :								