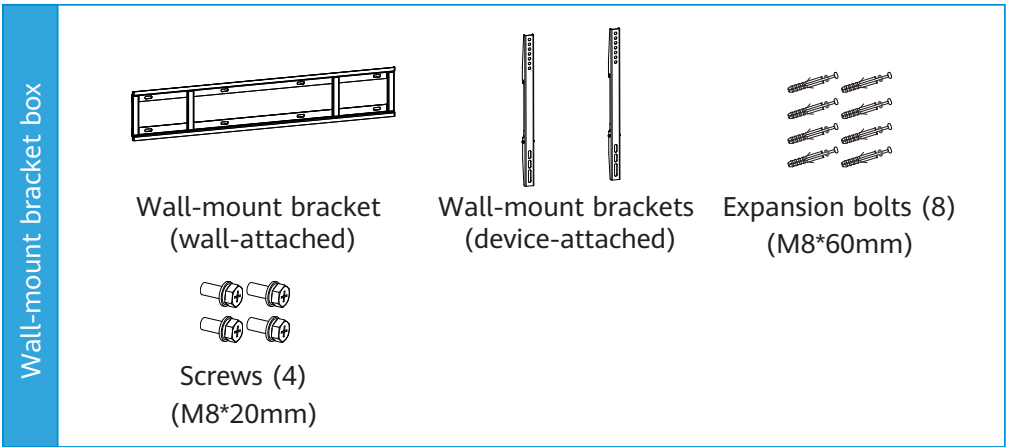


Quick Start (Wall-Mounted)

1 Included Items

- 🔍 This list is for reference only. The appearances of the components may differ from those included upon delivery. The components in this package can be used only with the display in this package. If a component is damaged, missing, or wet upon being removed from the box, contact technical support.

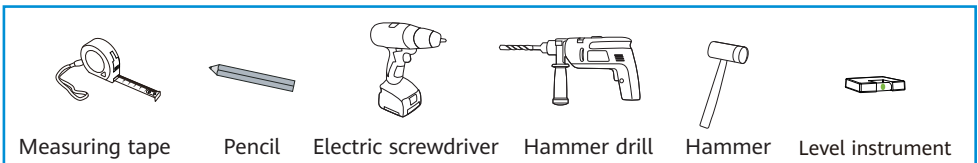


2 Mounting the Device

- 🔍 1. If you purchase rolling stands, install the device by referring to [Quick Start \(Floor-Mounted\)](#).
2. Different models differ slightly in appearance. The appearances of the display and accessories in this document are for reference only.
3. Take and place all components gently to prevent them from falling.

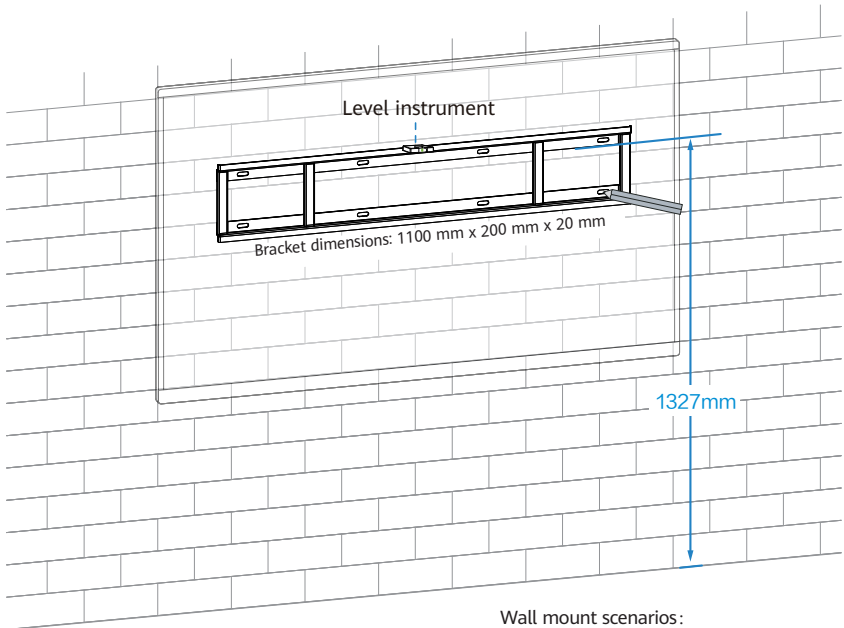
⚠️ At least two, three, or four persons are required to lift and install a 65-inch, 75-inch, or 86-inch device respectively.

- 1 Prepare the following installation tools.



2 Use a measuring tape, a pencil, or a level instrument to determine the installation position of the bracket and mark the screw holes.

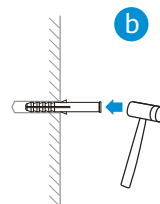
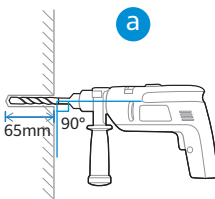
1. Install the device on a vertical, load-bearing solid wall or concrete wall with more than 20 cm thickness. To install the device on other types of walls, reinforce the walls and verify the feasibility before installation. Verification method (for reference only): After installing the wall-attached bracket, perform a four-fold, one-minute load test on it (260 kg, 200 kg, and 160 kg for the 86-inch, 75-inch, and 65-inch models respectively). Ensure that screws are not loose or deformed after the test.
2. In recessed wall mount scenarios, reserve a 100 mm gap for heat dissipation between the display edge and recessed wall edge. For details about wall-recessed installation, visit our technical support official website and see section 4.2.1 "Wall-Mounted Device Installation" in the [Conference Room Decoration Guide](#).



Wall mount scenarios:

1327mm: Distance between the bottom of the bracket upper beam and ground to ensure the optimal angle of view

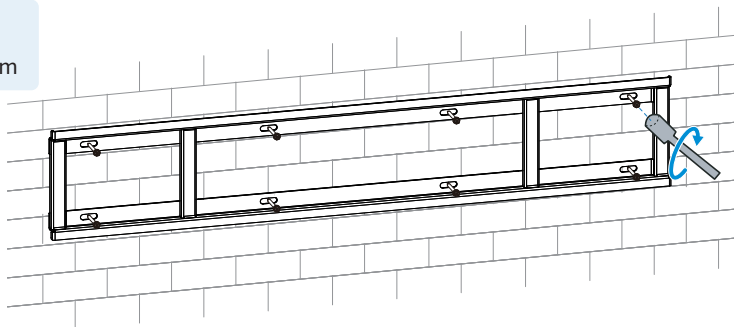
3 Drill holes at the marked positions on the wall and fix expansion bolts.



- 4 Tighten the screws using an electric screwdriver to secure the wall-attached bracket .

🔍 Use an electric screwdriver with a 13 mm socket, recommended installation torque: 16-20 N.m.

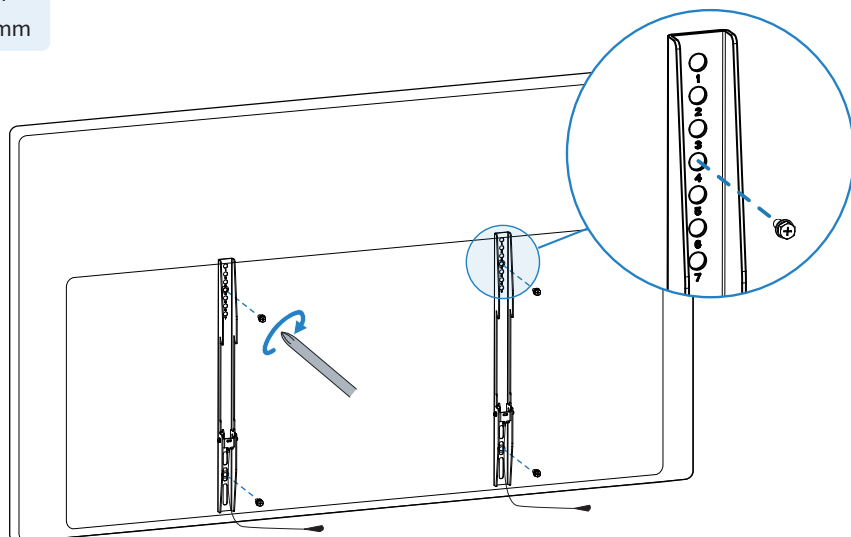
🔩 ×8
M8*60mm



- 5 Install the device-attached brackets and screws on the rear of the display, and ensure that the four screws are tightened correctly.

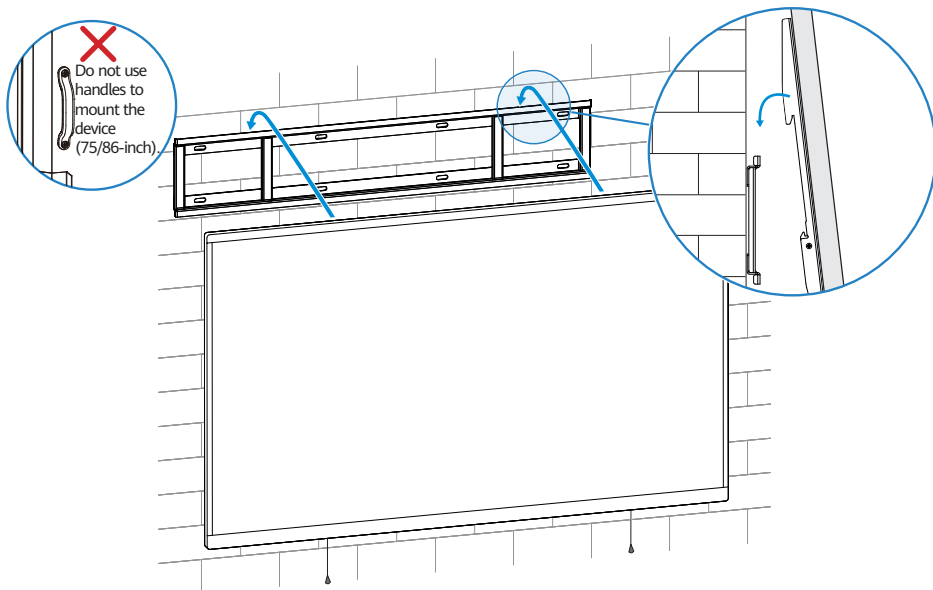
🔍 Place the display vertically on the foam or cushion. You are advised to use hole 4 for installation.

🔩 ×4
M8*20mm



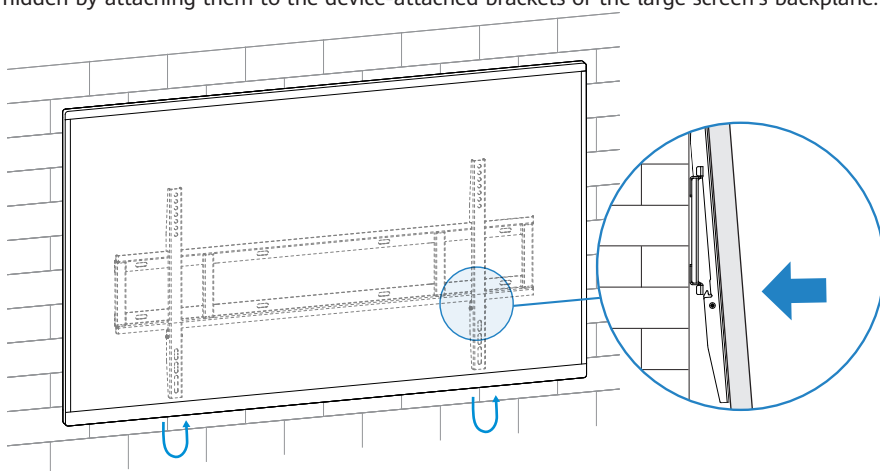
6 Mount the display by hooking the device-attached brackets onto the wall-attached bracket.

- 1. Do not press the screen during mounting to prevent the screen from being damaged. When in use, do not press down hard on the edges of the screen to prevent the screen from shaking.
- 2. If a display error occurs after you place the screen facing down for a long period of time, keep the screen facing up for about 10 seconds and check whether the error is fixed.

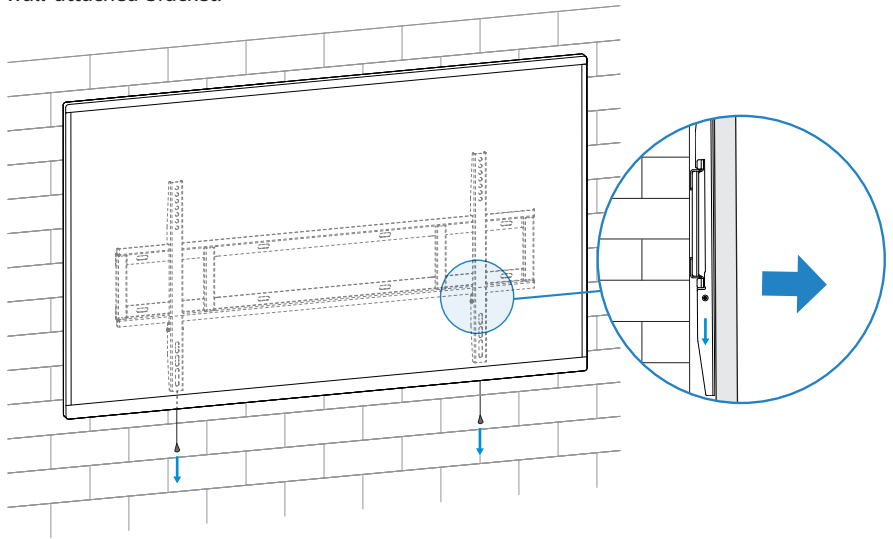


7 Gently press down on the display and fasten the buckles under the device-attached brackets to the wall-attached bracket.

- 1. After the installation, ensure that the screen is perpendicular to the ground and not at an angle to avoid exceptions.
- 2. The pull rope pendants are magnetic. After the installation is complete, the pull ropes can be hidden by attaching them to the device-attached brackets or the large screen's backplane.



3. If you want to unmount the large screen, take out the pull rope pendants and pull them downwards to open the buckles. You can then lift and unmount the large screen from the wall-attached bracket.



Disposal and Recycling Information



■ This symbol on the device and any included batteries indicates that they should not be disposed of as normal household garbage. Do not dispose of your device or batteries as unsorted municipal waste. They should be handed over to a certified collection point for recycling or proper disposal when they can no longer be used.

For more detailed information about the recycling of the device or batteries, contact your local city office, the household waste disposal service, or the retail store where you purchased this device.

The disposal of this device is subject to the Waste from Electrical and Electronic Equipment (WEEE) Directive of the European Union. The purpose for separating WEEE and batteries from other waste is to minimize any environmental impact and health hazards due to the presence of hazardous substances.

Reduction of Hazardous Substances

This device is compliant with the EU Registration, Evaluation, Authorization and Restriction of Chemicals (REACH) Regulation (Regulation No 1907/2006/EC of the European Parliament and of the Council) and the EU Restriction of Hazardous Substances (RoHS) Directive (Directive 2011/65/EU & (EU) 2015/863 of the European Parliament and of the Council).